



Technical Data		AFB24-SR, AFB24-SR-S, AFX24-SR, AFX24-SR-S
Power supply		24 VAC $\pm 20\%$ , 50/60 Hz 24 VDC $+20\%$ / $-10\%$
Power consumption	running	5.5 W
	holding	3 W
Transformer sizing		8.5 VA (class 2 power source)
Electrical connection	AFB...	3 ft, 18 GA appliance cable, 1/2" conduit connector <b>-S models:</b> two 3 ft, 18 gauge appliance cables with 1/2" conduit connectors
	AFX...	3 ft [1m], 10 ft [3m] or 16 ft [5m] 18 GA appliance or plenum cables, with or without 1/2" conduit connector <b>-S models:</b> Two 3 ft [1m], 10 ft [3m] or 16 ft [5m] appliance cables, with or without 1/2" conduit connectors
Overload protection		electronic throughout 0 to 95° rotation
Operating range Y		2 to 10 VDC, 4 to 20mA
Input impedance		100 k $\Omega$ for 2 to 10 VDC (0.1 mA) 500 $\Omega$ for 4 to 20 mA
Feedback output U		2 to 10 VDC (max. 0.5 mA)
Torque		180 in-lb [20 Nm] minimum
Direction of rotation	spring	reversible with CW/CCW mounting
	motor	reversible with built-in switch
Mechanical angle of rotation		95° (adjustable with mechanical end stop, 35° to 95°)
Running time	spring	< 20 seconds @ -4°F to 122°F [-20°C to 50°C]; < 60 seconds @ -22°F [-30°C]
	motor	95 seconds
Position indication		visual indicator, 0° to 95° (0° is full spring return position)
Manual override		5 mm hex crank (3/16" Allen), supplied
Humidity		max. 95% RH non-condensing
Ambient temperature		-22°F to 122°F [-30°C to 50°C]
Storage temperature		-40°F to 176°F [-40°C to 80°C]
Housing		Nema 2, IP54, Enclosure Type2
Housing material		zinc coated metal and plastic casing
Agency listings†		cULus acc. to UL60730-1A/-2-14, CAN/CSA E60730-1:02, CE acc. to 2004/108/EC & 2006/95/EC
Noise level		≤40dB(A) motor @ 95 seconds ≤62dB(A) spring return
Servicing		maintenance free
Quality standard		ISO 9001
Weight		4.6 lbs (2.1 kg); 4.9 lbs (2.25 kg) with switches
† Rated Impulse Voltage 800V, Type of action 1.AA (1.AA.B for -S version), Control Pollution Degree 3.		
<b>AFB24-SR-S, AFX24-SR-S</b>		
Auxiliary switches		2 x SPDT 3A (0.5A) @ 250 VAC, UL approved one set at +10°, one adjustable 10° to 90°

Torque min. 180 in-lb, for control of air dampers

### Application

For proportional modulation of dampers in HVAC systems. Actuator sizing should be done in accordance with the damper manufacturer's specifications.

The actuator is mounted directly to a damper shaft up to 1.05" in diameter by means of its universal clamp. A crank arm and several mounting brackets are available for applications where the actuator cannot be direct coupled to the damper shaft.

The actuator operates in response to a 2 to 10 VDC, or with the addition of a 500 $\Omega$  resistor, a 4 to 20 mA control input from an electronic controller or positioner. A 2 to 10 VDC feedback signal is provided for position indication. Not to be used for a master-slave application.

### Operation

The AFB and AFX series actuators provide true spring return operation for reliable fail-safe application and positive close-off on air tight dampers. The spring return system provides constant torque to the damper with, and without, power applied to the actuator.

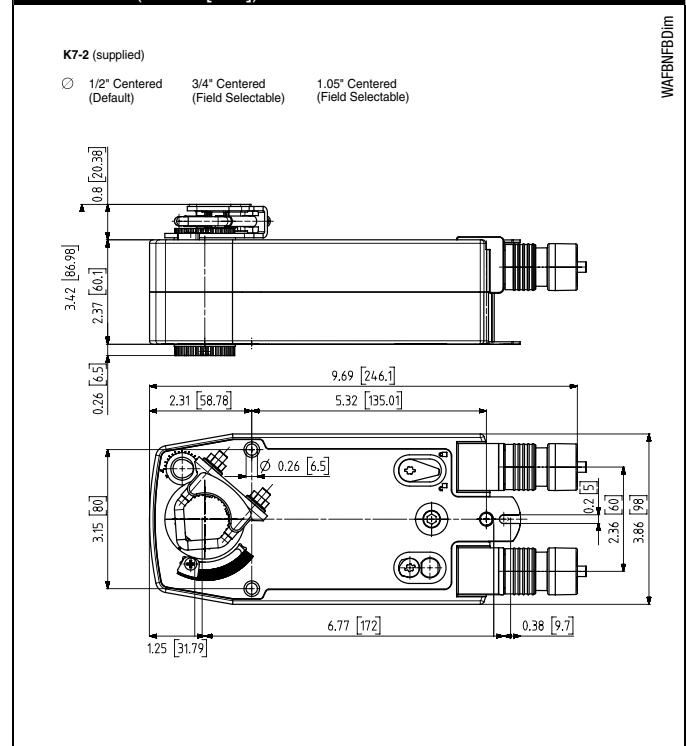
The AFB and AFX series provides 95° of rotation and is provided with a graduated position indicator showing 0° to 95°.

The AFB24-SR and AFX24-SR uses a brushless DC motor which is controlled by an Application Specific Integrated Circuit (ASIC) and a microprocessor. The microprocessor provides the intelligence to the ASIC to provide a constant rotation rate and to know the actuator's exact fail-safe position. The ASIC monitors and controls the brushless DC motor's rotation and provides a digital rotation sensing function to prevent damage to the actuator in a stall condition. The actuator may be stalled anywhere in its normal rotation without the need of mechanical end switches.

The AFB24-SR-S and AFX24-SR-S versions are provided with two built-in auxiliary switches. These SPDT switches provide safety interfacing or signaling, for example, for fan start-up. The switching function at the fail-safe position is fixed at +10°, the other switch function is adjustable between +10° to +90°. The AFB24-SR, AFB24-SR-S, AFX24-SR and AFX24-SR-S actuator is shipped at +5° (5° from full fail-safe) to provide automatic compression against damper gaskets for tight shut-off.

**ATTENTION:** AFB24-SR(-S) and AFX24-SR(-S) **cannot** be tandem mounted on the same damper or valve shaft. Only On/Off and MFT AF models can be used for tandem mount applications.

### Dimensions (Inches [mm])



# AFB24-SR, AFB24-SR-S, AFX24-SR, AFX24-SR-S

Proportional, Spring Return, 24 V, for 2 to 10 VDC to 4 to 20 mA Control Signal



## Accessories

AV 8-25	Shaft extension
IND-AFB	Damper position indicator
KH-AFB	Crank arm
K7-2	Universal clamp for up to 1.05" dia jackshafts
TF-CC US	Conduit fitting
Tool-06	8mm and 10 mm wrench
ZG-100	Universal mounting bracket
ZG-101	Universal mounting bracket
ZG-118	Mounting bracket for Barber Colman® MA 3./4..., Honeywell® Mod III or IV or Johnson® Series 100 replacement or new crank arm type installations
ZG-AFB	Crank arm adaptor kit
ZG-AFB118	Crank arm adaptor kit
ZS-100	Weather shield (metal)
ZS-150	Weather shield (polycarbonate)
ZS-260	Explosion-proof housing
ZS-300	NEMA 4X housing

**NOTE:** When using AFB24-SR, AFB24-SR-S, AFX24-SR and AFX24-SR-S actuators, only use accessories listed on this page.

For actuator wiring information and diagrams, refer to Belimo Wiring Guide.

## Typical Specification

Spring return control damper actuators shall be direct coupled type which require no crank arm and linkage and be capable of direct mounting to a jackshaft up to a 1.05" diameter. The actuator must provide proportional damper control in response to a 2 to 10 VDC or, with the addition of a 500Ω resistor, a 4 to 20 mA control input from an electronic controller or positioner. The actuators must be designed so that they may be used for either clockwise or counterclockwise fail-safe operation. Actuators shall use a brushless DC motor controlled by a microprocessor and be protected from overload at all angles of rotation. Run time shall be constant, and independent of torque. A 2 to 10 VDC feedback signal shall be provided for position feedback. Actuators shall be cULus Approved and have a 5 year warranty, and be manufactured under ISO 9001 International Quality Control Standards. Actuators shall be as manufactured by Belimo.

## Wiring Diagrams

### INSTALLATION NOTES

- 1 Provide overload protection and disconnect as required.
- 2 **CAUTION Equipment Damage!**  
Actuators may be connected in parallel. Power consumption and input impedance must be observed.  
Up to 4 actuators may be connected in parallel if not mechanically mounted to the same shaft. With 4 actuators wired to one 500 Ω resistor. Power consumption must be observed.
- 3 Actuator may also be powered by 24 VDC.
- 4 For end position indication, interlock control, fan startup, etc., AFB24-SR-S and AFX24-SR-S incorporates two built-in auxiliary switches: 2 x SPDT, 3A (0.5A) @250 VAC, UL Approved, one switch is fixed at +10°, one is adjustable 10° to 90°.
- 5 Only connect common to neg. (-) leg of control circuits

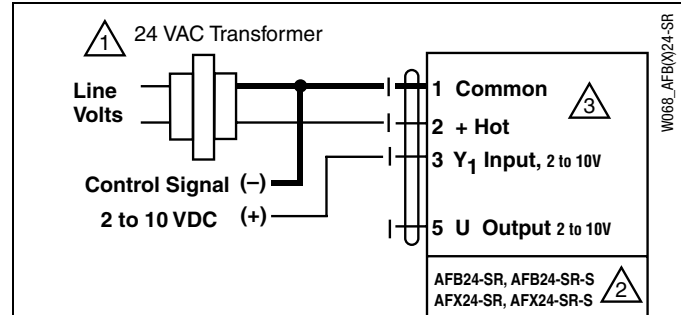
### APPLICATION NOTES

- ◆ The ZG-R01 500 Ω resistor converts the 4 to 20 mA control signal to 2 to 10 VDC.

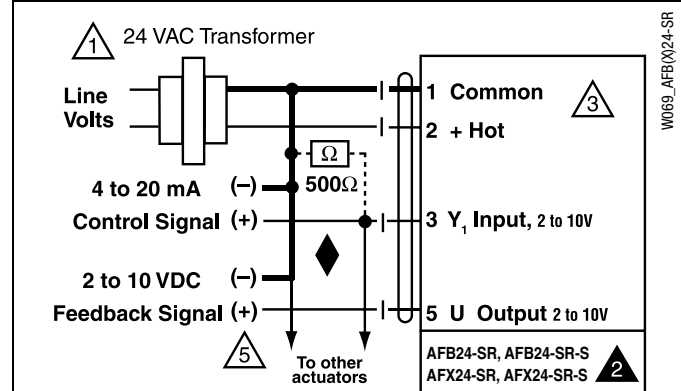
**ATTENTION:** AFB24-SR(-S) and AFX24-SR(-S) **cannot** be tandem mounted on the same damper or valve shaft. Only On/Off and MFT AF models can be used for tandem mount applications.

### WARNING Live Electrical Components!

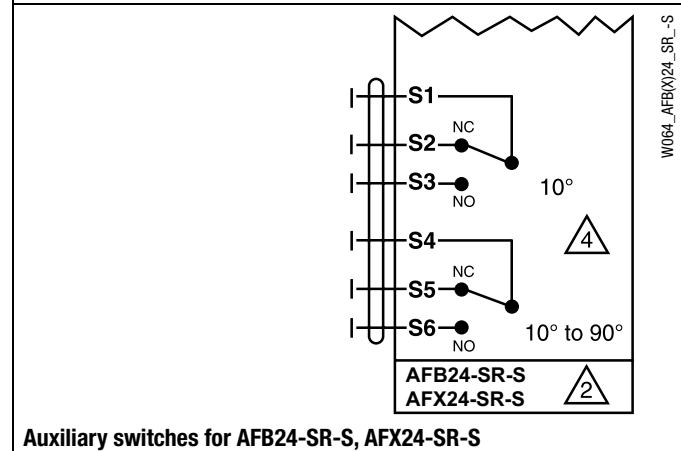
During installation, testing, servicing and troubleshooting of this product, it may be necessary to work with live electrical components. Have a qualified licensed electrician or other individual who has been properly trained in handling live electrical components perform these tasks. Failure to follow all electrical safety precautions when exposed to live electrical components could result in death or serious injury.



2 to 10 VDC control of AFB24-SR and AFX24-SR



4 to 20 mA control of AFB24-SR and AFX24-SR with 2 to 10 VDC feedback output



Auxiliary switches for AFB24-SR-S, AFX24-SR-S

06/10 - Subject to change. © Belimo Aircontrols (USA), Inc.