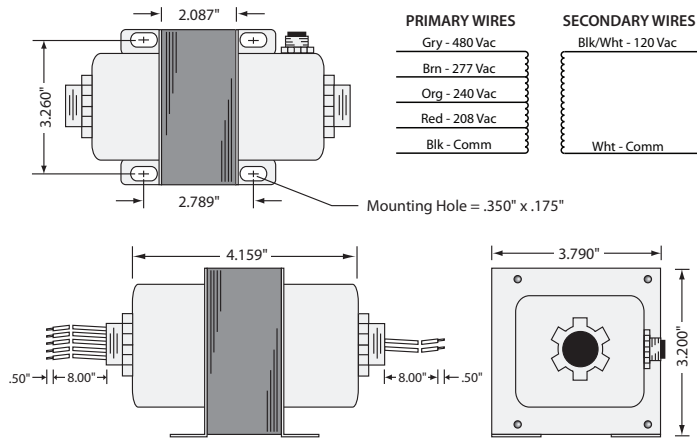
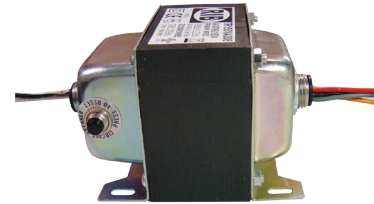


TR150VA008

Transformer 150 VA, 480/277/240/208 to 120 Vac, Circuit Breaker, Foot and Dual Threaded Hub Mount



Transformer



Specifications

- VA Rating:** 150
- Frequency:** 50/60 Hz
- Mounting:** Foot & Dual Threaded Hub
- Over Current Protection:** Circuit Breaker
- Dimensions:** 3.200" x 3.790" x 4.159"
(w/ .500" NPT Hubs)
- Wire Length:** 8" Typical w/ .5" Strip
- Operating Temperature:** -30 to 140° F
- MTBF:** 100,000 Hours @ 77° F
- Construction:** Split-Bobbin
- Weight:** 5.29 lbs.
- Approvals:** UL5085-2 Listed General Purpose
C-UL, CE, RoHS